

## Product Information

Applicable lavatory:		
15" (38.1cm) x 12" (30.5cm)	K-2209	shown
17" (43.2cm) x 14" (35.6cm)	K-2210	shown
17" (43.2cm) x 14" (35.6cm) glazed underside	K-2210-G	shown
17" (43.2cm) x 14" (35.6cm) without overflow	K-2210-N	not shown
19" (48.3cm) x 15" (38.1cm)	K-2211	shown
19" (48.3cm) x 15" (38.1cm) glazed underside	K-2211-G	shown

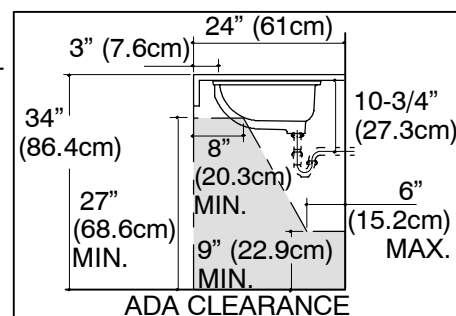
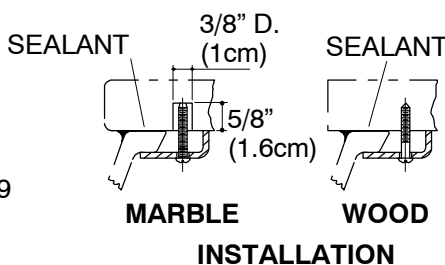
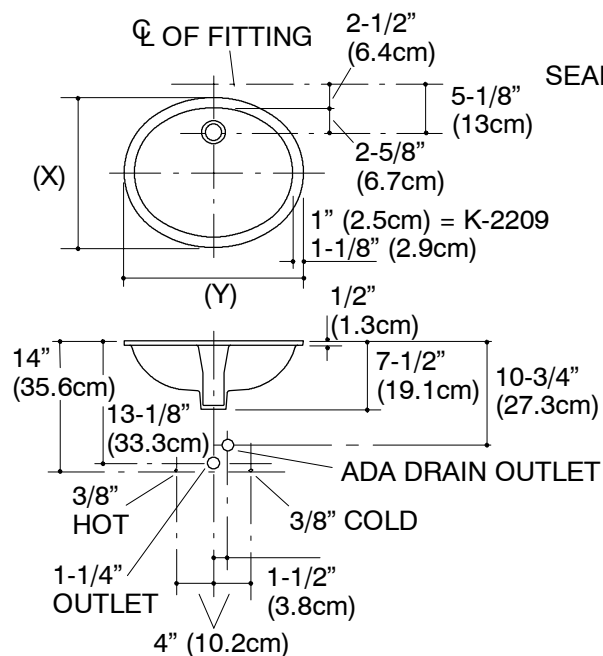
ADA compliant.		
Fixture*:	basin area	water depth
K-2209	15" (38.1cm) x 12" (30.5cm)	4" (10.2cm)
K-2210/ K-2210-N	17" (43.2cm) x 14" (35.6cm)	4" (10.2cm)
K-2211	19" (48.3cm) x 15" (38.1cm)	4" (10.2cm)
Outlet	1-3/4" D. (4.4cm)	
* Approximate measurements for comparison only.		

## Product Information

Included Components:	
Basin clamp assembly	52047
Adhesive sealant	63034
Cutout template, K-2209	85838-7
Cutout template, K-2210	1002975-7
Cutout template, K-2211	1018997-7

## Installation Notes

Install this product according to the installation guide. Supplied basin clamp assemblies require 1" (2.5cm) minimum countertop thickness. Installer must supply anchors for thinner countertops.



## Roughing-In Notes

K-2209: (X)=14" (35.6cm), (Y)=17" (43.2cm).
K-2210: (X)=16-1/4" (41.3cm), (Y)=19-1/4" (48.9cm).
K-2211: (X)=17-1/4" (43.8cm), (Y)=21-1/4" (54cm).