

# JGS968SEK

## GE Profile™ 30" Slide-In Gas Range

### Dimensions and Installation Information (in inches)

You must use the rear filler strip kit shipped with the range or the optional accessory backguard when installing these ranges when installing these ranges

**Note:** Cabinets installed adjacent to slide-in ranges must have an adhesion spec of at least 194° temperature rating.

### Optional Kits for Slide-In Gas Ranges:

(Available at additional cost)

#### Lower/Side Trim Kits

- JXS56BB - Lower Trim Kit (Black)
- JXS56WW - Lower Trim Kit (White)
- JXS56CC - Lower Trim Kit (Bisque)
- JXS77BB - Side Trim Kit (Black)
- JXS77WW - Side Trim Kit (White)
- JXS77CC - Side Trim Kit (Bisque)

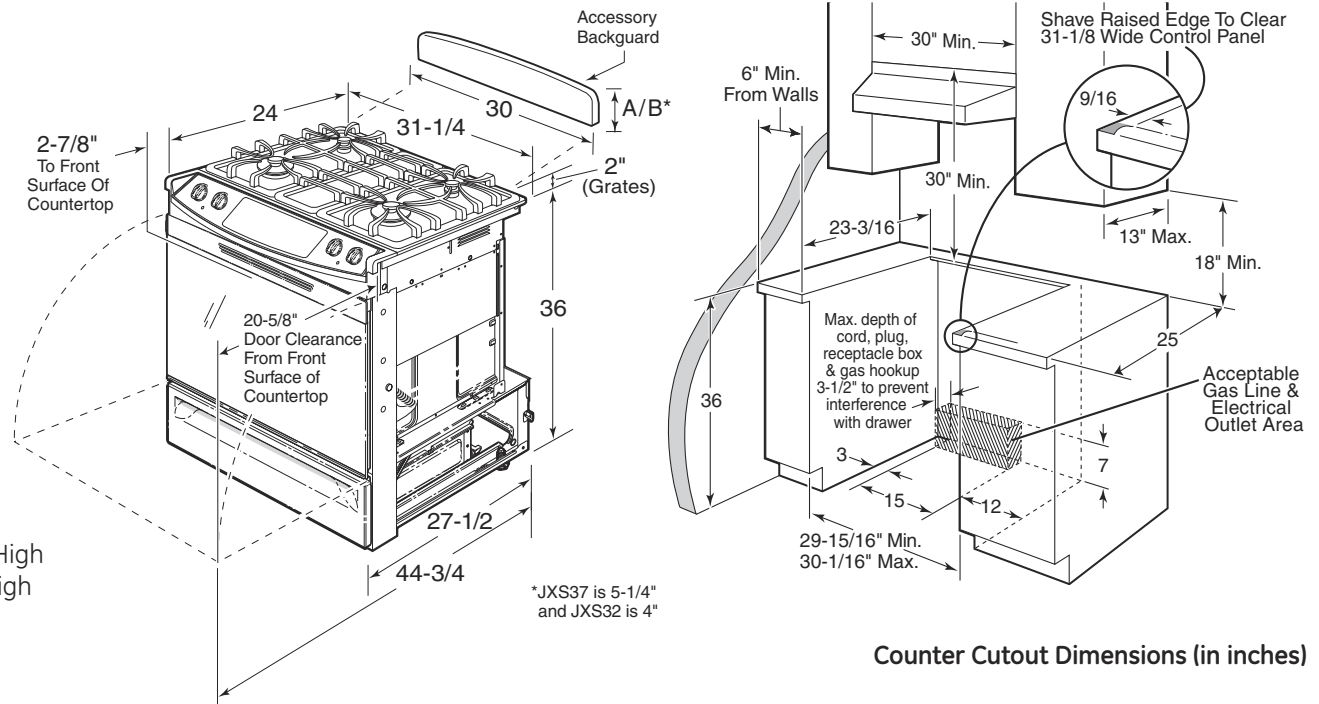
#### Accessory Backguards

- JXS32BB (Black) - 4" High
- JXS32CC (Bisque) - 4" High
- JXS32SS (Stainless) - 4" High
- JXS32WW (White) - 4" High
- JXS37BB (Black) - 5-1/4" High
- JXS37CC (Bisque) - 5-1/4" High
- JXS37WW (White) - 5-1/4" High

**Endcap Kit:** JXS40 - Endcap kit to accommodate replacement where countertop may already be notched.

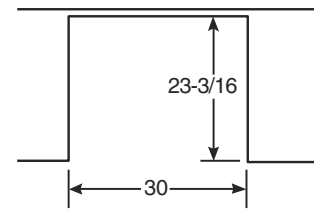
**Installation Information:** Before installing, consult installation instructions packed with product for current dimensional data.

For answers to your Monogram®, GE Profile™ or GE® appliance questions, visit our website at [ge.com](http://ge.com) or call GE Answer Center® service, 800.626.2000.

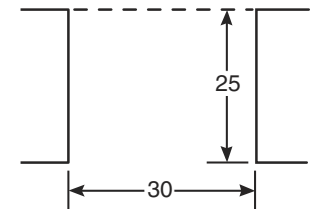


### Counter Cutout Dimensions (in inches)

If you are NOT using the Filler strip or Backguard:



If you are using the Filler strip or Backguard:



All GE ranges are equipped with an Anti-Tip device. The installation of this device is an important, required step in the installation of the range.



Listed by Underwriters Laboratories

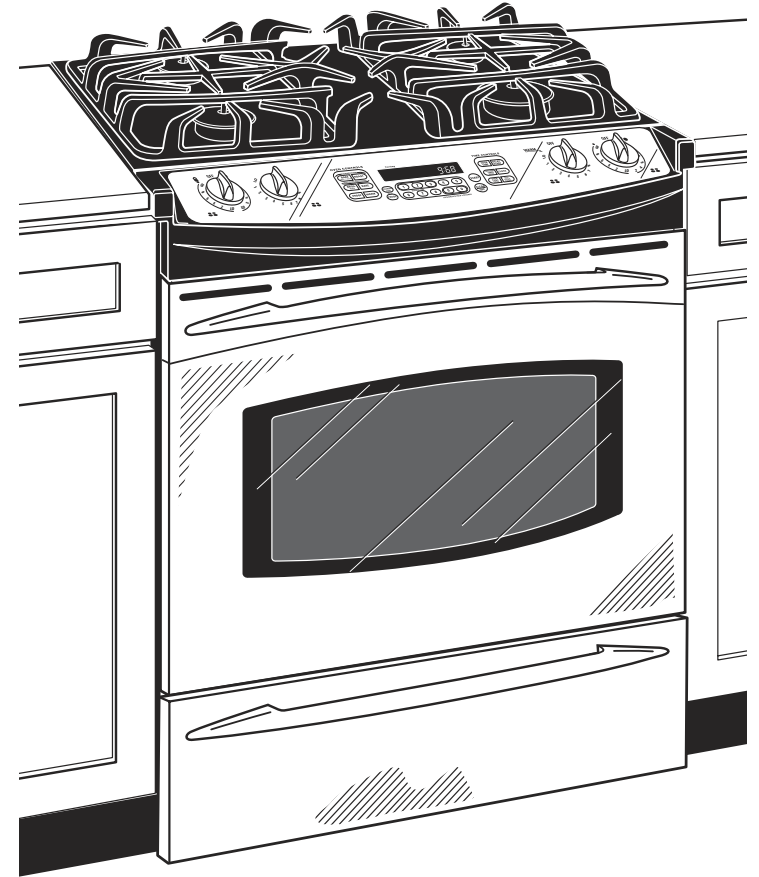


# JGS968SEK

## GE Profile™ 30" Slide-In Gas Range

### Features and Benefits

- Two Speed Gas Convection Oven - Circulates the air throughout the oven cavity ensuring better baking and roasting results
- Single/Multi-Rack Convection Bake - Provides ideal airflow throughout the oven, ensuring optimal results on both racks
- Convection Roast - Provides even cooking and consistent results, roasting meats up to 25% faster than a conventional oven
- Self-Clean Oven - Conveniently cleans the oven cavity without the need for scrubbing
- Glass Touch Controls - Features a smooth glass design that is easy-to-operate and easy-to-clean
- Power Boil™ Burner - Delivers 15,000 BTUs of forceful heat for rapid boiling
- Heavy-Duty Die-Cast Knobs - Add durability and brushed chrome for enhanced style and performance
- High Output Burner - Provides a powerful burner output for efficient heat-up and boiling
- Extra-Large Oven Capacity - Provides a large oven interior ideal for cooking more items at once
- Continuous Grates - Provide a flat, sturdy surface allowing easy movement of pans between burners
- Ceramic Glass Cooktop - A smooth cooktop surface makes cleaning quick and easy
- Auto Recipe™ Conversion - Automatically converts standard recipe temperatures to proper convection settings, eliminating the guesswork
- Model JGS968SEKSS - Stainless steel



imagination at work